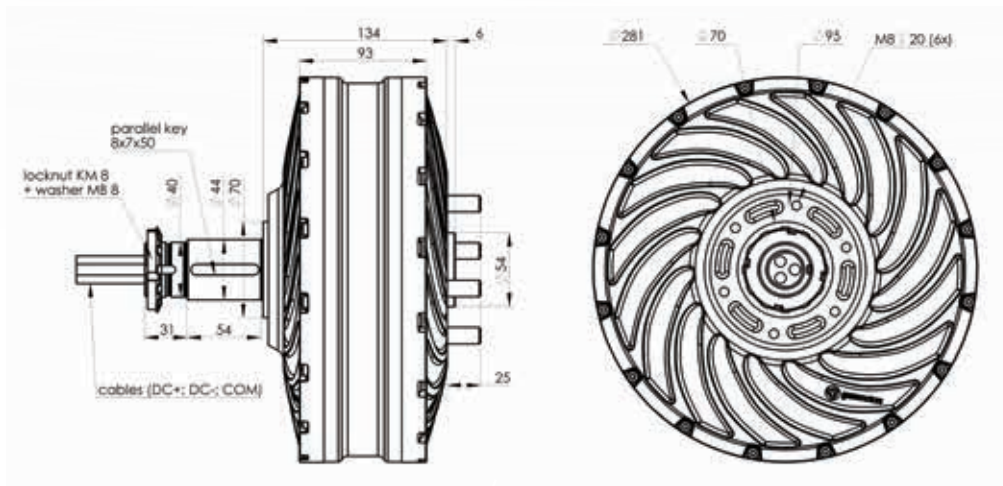


GEM in-wheel drive

Type G2.4

Synchronous patented multiphase electric motor with permanent magnets and integrated controller.



	STANDARD	CUSTOM
Nominal power	4 kW	3 ~ 6 kW
Nominal torque	145 Nm	120 ~ 180 Nm
Peak power (20 sec)	5.5 kW	4 ~ 8 kW
Peak torque (20 sec)	180 Nm	140 ~ 250 Nm
Speed	500 rpm at 48 V	200 ~ 1000 rpm
Battery-to-wheel efficiency	up to 90%	up to 92%
Voltage	48 V	40 V ~ 75 V
Wheel rim	13" integrated rim	≥12" integrated or ≥13" standard car rim
Mounting	one side	one or two sided
Cooling	air	
Dimensions	width 140 mm, diameter 281 mm	
Active motor weight	11,5 kg	
Total motor weight	19 kg	
Standard functions	torque regulation, regenerative braking, high fault tolerance	
Signal interface	CAN	
IP Protection	IP 67	
Temperature range	- 40 ~ 60 °C	
LEV Applications	scooter, motorbike, three-wheeler, micro car, golf-cart, service vehicle, agricultural and industrial vehicle	
Additional features	speed regulation, complementary functional safety, software customization	

For detailed technical information please contact us at info@gemmotors.si or call +386 (0)59 023 893.