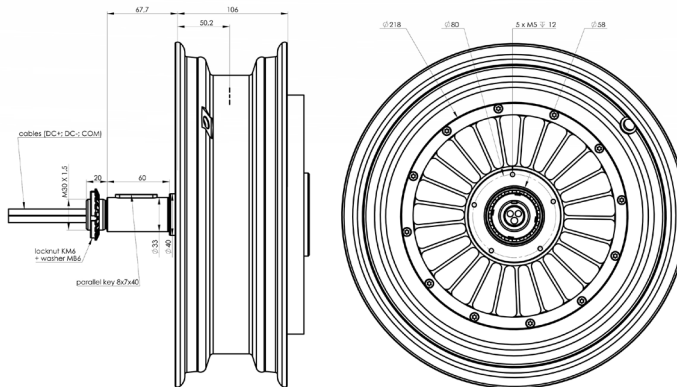


GEM in-wheel drive

Type G1.3

Advance synchronous GEM® in-wheel multiphase electric motor with permanent magnets and integrated controller.



	STANDARD	CUSTOM
		
Nominal power	3 kW	2 ~ 4 kW
Nominal torque	120 Nm	120 ~ 200 Nm
Peak power (20 sec)	4,5 kW	3 ~ 6 kW
Peak torque (20 sec)	160 Nm	120 ~ 180 Nm
Speed	600 rpm at 48 V	200 ~ 1000 rpm
Battery-to-wheel system efficiency	up to 92%	up to 92%
Voltage	48 V	40 V ~ 75 V
Wheel rim	10" integrated or bigger	10 or 12" integrated or standard rim sizes
Mounting	one side	two sided
Cooling	air	
Dimensions	width 110 mm, diameter 218 mm	
Active motor weight	7 kg	
Total motor weight (active + housing)	12 kg	
Standard functions	torque regulation, speed regulation, regenerative braking, temperature protection	
Additional functions	4Q operation, OpenCAN interface	
Signal interface	CAN	
IP Protection	IP 67	
Temperature range	- 40 ~ 60 °C	
Applications	bicycle, scooter, motorbike, other 2-wheeler, 3-wheeler and 4-wheeler, agricultural and industrial vehicle	

For detailed technical information please contact us at sales@gemmotors.si or call +386 (0)59 023 893.