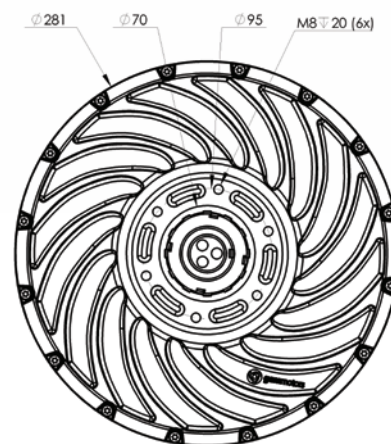
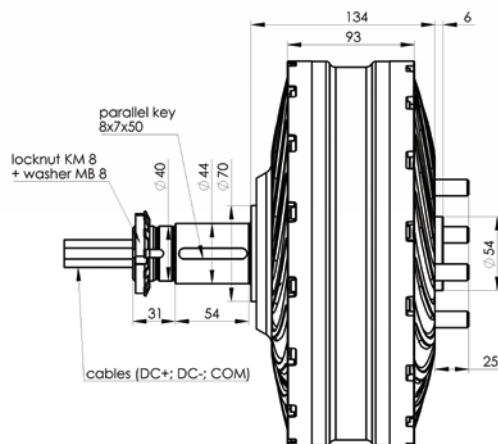


# GEM in-wheel drive

## Type G2.4

Synchronous patented multiphase electric motor with permanent magnets and integrated controller.



	STANDARD	CUSTOM
<b>Nominal power</b>	4 kW	3 ~ 6 kW
<b>Nominal torque</b>	145 Nm	120 ~ 180 Nm
<b>Peak power (20 sec)</b>	5.5 kW	4 ~ 8 kW
<b>Peak torque (20 sec)</b>	180 Nm	140 ~ 250 Nm
<b>Speed</b>	500 rpm at 48 V	200 ~ 1000 rpm
<b>Battery-to-wheel efficiency</b>	up to 90%	up to 92%
<b>Voltage</b>	48 V	40 V ~ 75 V
<b>Wheel rim</b>	13" integrated rim	≥12" integrated or ≥13" standard car rim
<b>Mounting</b>	one side	one or two sided
<b>Cooling</b>	air	
<b>Dimensions</b>	width 140 mm, diameter 281 mm	
<b>Active motor weight</b>	11,5 kg	
<b>Total motor weight</b>	19 kg	
<b>Standard functions</b>	torque regulation, regenerative braking, high fault tolerance	
<b>Signal interface</b>	CAN	
<b>IP Protection</b>	IP 67	
<b>Temperature range</b>	- 40 ~ 60 °C	
<b>LEV Applications</b>	scooter, motorbike, three-wheeler, micro car, golf-cart, service vehicle, agricultural and industrial vehicle	
<b>Additional features</b>	speed regulation, complementary functional safety, software customization	

For detailed technical information please contact us at [info@gemmotors.si](mailto:info@gemmotors.si) or call +386 (0)59 023 893.