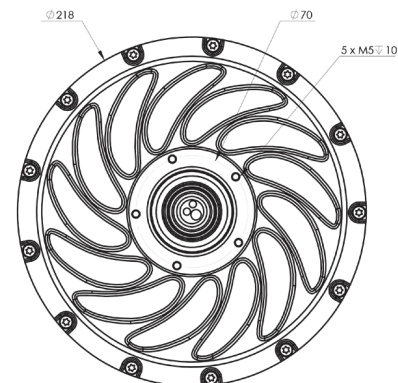
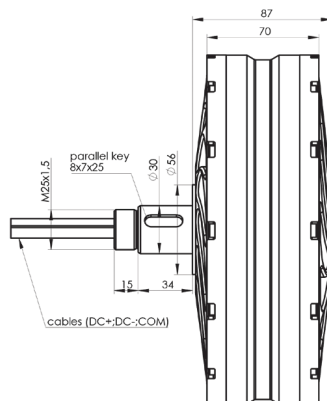


GEM in-wheel drive

Synchronous GEM® in-wheel multiphase electric motor with permanent magnets and integrated controller.

Type G1.1



	Standard	Custom
Nominal power	1,5 kW	1 ~ 2 kW
Nominal torque	70 Nm	60 ~ 90 Nm
Peak power (20 sec)	1,5 kW	1,5 ~ 3 kW
Peak torque (20 sec)	100 Nm	90 ~ 140 Nm
Speed	500 rpm at 48 V	150 ~ 700 rpm
Battery-to-wheel system efficiency	up to 92%	90% ~ 92%
Voltage	48 V	36 V ~ 72 V
Wheel rim	min. 10"	min 10" integrated or external rim
Mounting	One side	One sided or two sided
Cooling	Air	
Dimensions	Width 87 mm, diameter 218 mm	
Active motor weight	4 kg	
Total motor weight	7 kg	
Standard functions	4Q operation, torque and speed regulation, regenerative braking	
Signal interface	CAN	
IP Protection	IP 67	
Temperature range	- 40 ~ 60 °C	
Applications	Light motorcycles, other 2-wheelers, 3- and 4-wheelers, agricultural and industrial vehicles	

For detailed technical information please contact us at sales@gemmotors.si or call +386 (0)59 023 893.