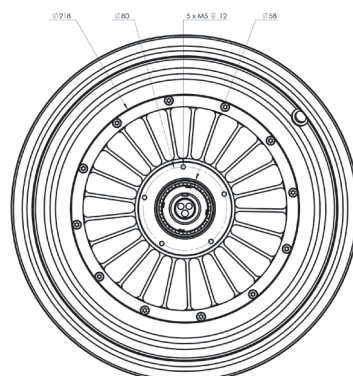
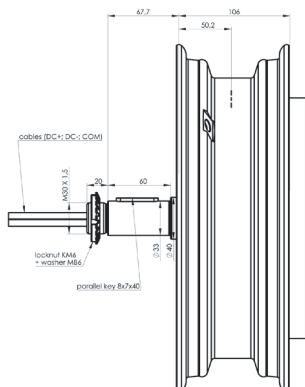
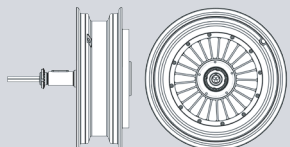
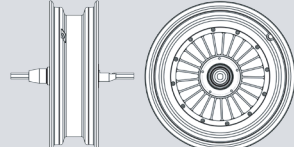


GEM in-wheel drive

Synchronous GEM® in-wheel multiphase electric motor with permanent magnets and integrated controller.

Type G1.3



	Standard	Custom
		
Nominal power	3 kW	2 ~ 4 kW
Nominal torque	120 Nm	120 ~ 200 Nm
Peak power (20 sec)	4,5 kW	3 ~ 6 kW
Peak torque (20 sec)	160 Nm	120 ~ 180 Nm
Speed	600 rpm at 48 V	200 ~ 1000 rpm
Battery-to-wheel system efficiency	up to 92%	up to 92%
Voltage	48 V	36 V ~ 72 V
Wheel rim	min. 10"	min 10" integrated or external rim
Mounting	One side	Two sided
Cooling	Air	
Dimensions	Width 110 mm, diameter 218 mm	
Active motor weight	7 kg	
Total motor weight	12 kg	
Standard functions	4Q operation, torque and speed regulation, regenerative braking	
Signal interface	CAN	
IP Protection	IP 67	
Temperature range	- 40 ~ 60 °C	
Applications	Bicycle, scooter, motorbike, other 2-wheeler, 3-wheeler and 4 wheeler, agricultural and industrial vehicle	

For detailed technical information please contact us at sales@gemmotors.si or call +386 (0)59 023 893.