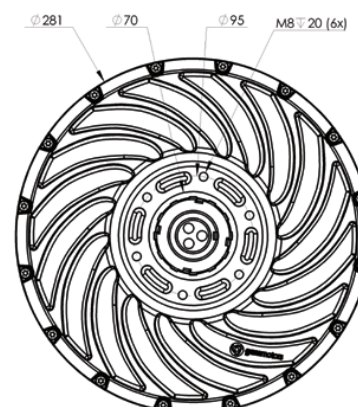
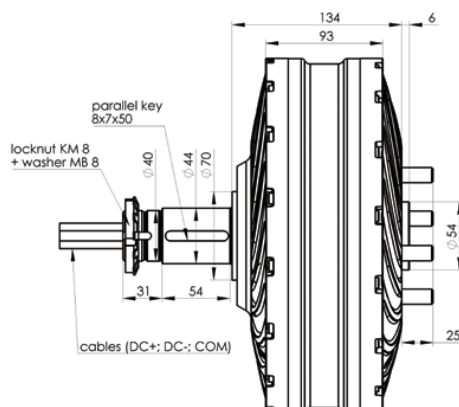
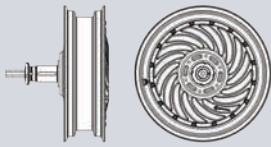
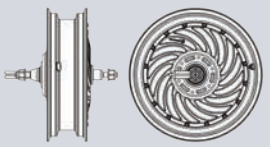


GEM in-wheel drive

Synchronous GEM® in-wheel multiphase electric motor with permanent magnets and integrated controller.

Type G2.4



	Standard	Custom
		
Nominal power	4 kW	3 ~ 6 kW
Nominal torque	145 Nm	120 ~ 180 Nm
Peak power (20 sec)	5,5 kW	4 ~ 8 kW
Peak torque (20 sec)	180 Nm	140 ~ 250 Nm
Speed	500 rpm at 48 V	200 ~ 1000 rpm
Battery-to-wheel system efficiency	up to 90%	up to 92%
Voltage	48 V	36 V ~ 72 V
Wheel rim	min. 13"	min. 13" integrated or external rim
Mounting	One side	One sided or two sided
Cooling	Air	
Dimensions	Width 140 mm, diameter 281 mm	
Active motor weight	11,5 kg	
Total motor weight	19 kg	
Standard functions	4Q operation, torque and speed regulation, regenerative braking	
Signal interface	CAN	
IP Protection	IP 67	
Temperature range	- 40 ~ 60 °C	
LEV Applications	Scooter, motorbike, 3-wheeler, micro car, golf-cart, service vehicle, agricultural and industrial vehicle	

For detailed technical information please contact us at sales@gemmotors.si or call +386 (0)59 023 893.