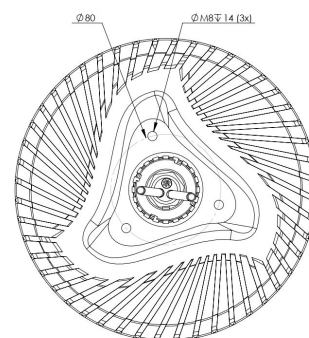
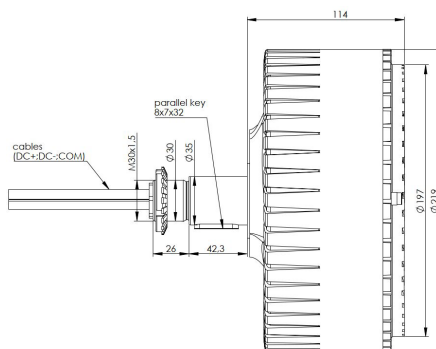


# GEM in-wheel drive

Synchronous GEM® in-wheel multiphase electric motor with permanent magnets and integrated controller.

Type G1.3



	Standard	Custom
<b>Nominal power</b>	3 kW	2 ~ 4 kW
<b>Nominal torque</b>	120 Nm	100 ~ 130 Nm
<b>Peak power (20 sec)</b>	4,5 kW	3 ~ 6 kW
<b>Peak torque (20 sec)</b>	160 Nm	130 ~ 180 Nm
<b>Speed</b>	400 rpm at 48 V	150 ~ 700 rpm
<b>Battery-to-wheel system efficiency</b>	up to 92%	up to 92%
<b>Voltage</b>	48 V	36 V ~ 72 V
<b>Wheel rim</b>	min. size 10"	min. size 10" integrated or external rim
<b>Mounting</b>	One side	Two sided
<b>Cooling</b>	Air	
<b>Dimensions</b>	Width 110 mm, diameter 219 mm	
<b>Active motor weight</b>	7 kg	
<b>Total motor weight</b>	12 kg	
<b>Standard features</b>	4Q operation, FOC speed and torque control, regenerative braking	
<b>Motor controller</b>	GEM modular type, integrated ®	
<b>Signal interface</b>	CAN	
<b>IP Protection</b>	IP 67	
<b>Temperature range</b>	- 40 ~ 60 °C	
<b>Applications</b>	Moped, scooter, motorcycle, other 2-wheelers, trike and other 3-wheelers, small 4-wheel car, and lightweight robotic, farm and industrial vehicles	

For more information please contact us at [sales@gemmotors.si](mailto:sales@gemmotors.si) or call +386 (0)59 023 893.