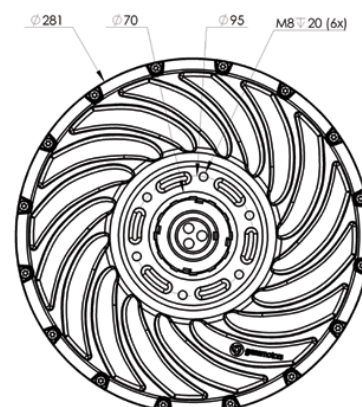
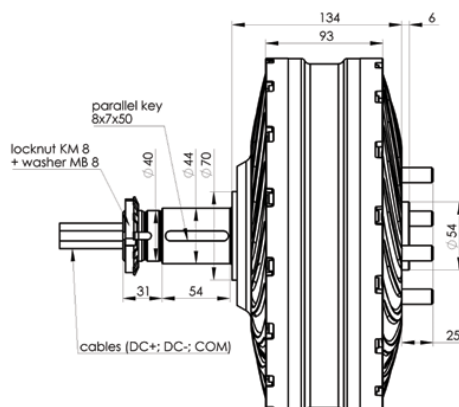


GEM in-wheel drive

Synchronous GEM® in-wheel multiphase electric motor with permanent magnets and integrated controller.

Type G2.4



	Standard	Custom
Nominal power	4 kW	3 ~ 6 kW
Nominal torque	140 Nm	100 ~ 180 Nm
Peak power (20 sec)	5,5 kW	4 ~ 8 kW
Peak torque (20 sec)	180 Nm	130 ~ 250 Nm
Speed	500 rpm at 48 V	200 ~ 1000 rpm
Battery-to-wheel system efficiency	up to 90%	up to 92%
Voltage	48 V	36 V ~ 72 V
Wheel rim	min. size 13"	min. size 13" integrated or external rim
Mounting	One side	One sided or two sided
Cooling	Air	
Dimensions	Width 140 mm, diameter 281 mm	
Active motor weight	11,5 kg	
Total motor weight	19 kg	
Standard features	4Q operation, FOC speed and torque control, regenerative braking	
Motor controller	GEM modular type, integrated®	
Signal interface	CAN or analog	
IP Protection	IP 67	
Temperature range	- 40 ~ 60 °C	
Certifications	IEC 60349-4:2012, ISO 10605, IEC 60034-5, ISO 9227-2006, ISO 16750-3, E/ECE Regulation No. 10, IEC 60068-2, MISRA C:2012	
LEV Applications	e-scooter, motorbike, trike and 3-wheeler, micro car, golf cart, commercial vehicle, agriculture and cargo vehicle	

For more information please contact us at sales@gemmotors.si or call +386 (0)59 023 893.