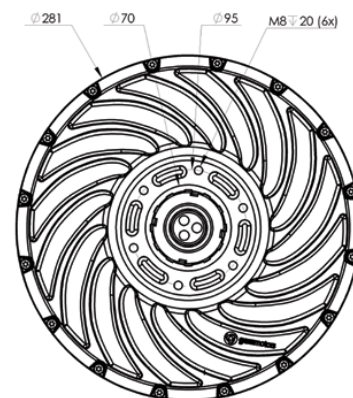
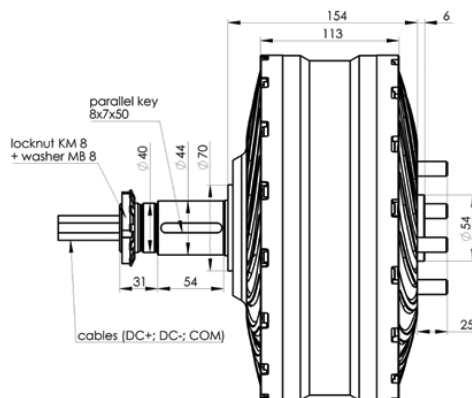
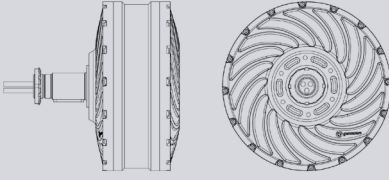
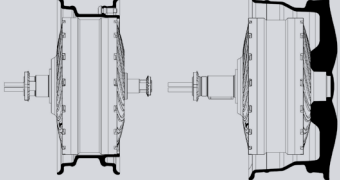


# GEM in-wheel drive

Synchronous GEM® in-wheel multiphase electric motor with permanent magnets and integrated controller.

Type G2.6



	Standard	Custom
		
<b>Nominal power</b>	6 kW	5 ~ 7 kW
<b>Nominal torque</b>	210 Nm	160 ~ 270 Nm
<b>Peak power (20 sec)</b>	8 kW	7 ~ 12 kW
<b>Peak torque (20 sec)</b>	280 Nm	200 ~ 350 Nm
<b>Speed</b>	800 rpm at 48 V	300 ~ 1300 rpm
<b>Battery-to-wheel system efficiency</b>	up to 90%	up to 92%
<b>Voltage</b>	48 V	36 V ~ 72 V
<b>Wheel rim</b>	min. size 13"	min. size 13" integrated or external rim
<b>Mounting</b>	One side	One sided or two sided
<b>Cooling</b>	Air	
<b>Dimensions</b>	Width 160 mm, diameter 281 mm	
<b>Active motor weight</b>	17 kg	
<b>Total motor weight</b>	25 kg	
<b>Standard features</b>	4Q operation, FOC speed and torque control, regenerative braking	
<b>Motor controller</b>	GEM modular type, integrated®	
<b>Signal interface</b>	CAN or analog	
<b>IP Protection</b>	IP 67	
<b>Temperature range</b>	- 40 ~ 60 °C	
<b>Certifications</b>	IEC 60349-4:2012, ISO 10605, IEC 60034-5, ISO 9227-2006, ISO 16750-3, E/ECE Regulation No. 10, IEC 60068-2, MISRA C:2012	
<b>LEV Applications</b>	e-scooter, motorbike, trike and 3-wheeler, micro car, golf cart, commercial vehicle, agriculture and cargo vehicle	

For more information please contact us at [sales@gemmotors.si](mailto:sales@gemmotors.si) or call +386 (0)59 023 893.