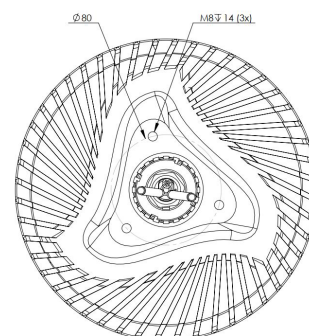
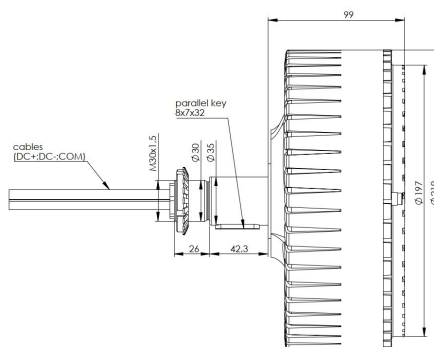
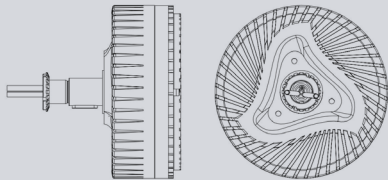
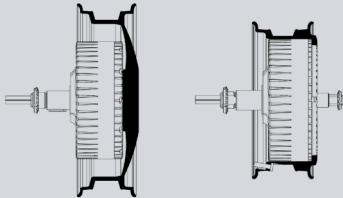


GEM in-wheel drive

Synchronous GEM® in-wheel multiphase electric motor with permanent magnets and integrated controller.

Type G1.1



	Standard	Custom
		
Nominal power	1,5 kW	1 ~ 2 kW
Nominal torque	75 Nm	60 ~ 90 Nm
Peak power (20 sec)	1,5 kW	1,5 ~ 3 kW
Peak torque (20 sec)	110 Nm	90 ~ 130 Nm
Speed	400 rpm at 48 V	150 ~ 700 rpm
Battery-to-wheel system efficiency	up to 92%	90% ~ 92%
Voltage	48 V	36 V ~ 72 V
Wheel rim	min. size 10"	min. size 10" integrated or external rim
Mounting	One side	One sided or two sided
Cooling	Air	
Dimensions	Width 87 mm, diameter 218 mm	
Active motor weight	5 kg	
Total motor weight	8 kg	
Standard features	4Q operation, FOC speed and torque control, regenerative braking	
Motor controller	GEM modular type, integrated ®	
Signal interface	CAN	
IP Protection	IP 67	
Temperature range	- 40 ~ 60 °C	
Applications	Light motorcycles, other 2-wheelers, 3- and 4-wheelers, agricultural and industrial vehicles	

For more information please contact us at sales@gemmotors.si or call +386 (0)59 023 893.