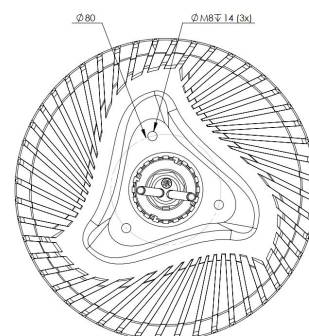
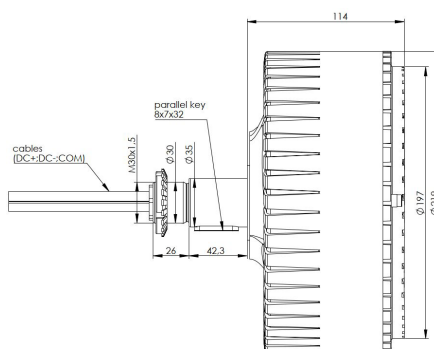


GEM in-wheel drive

Synchronous GEM® in-wheel multiphase electric motor with permanent magnets and integrated controller.

Type G1.3



	Standard	Custom
Nominal power	3 kW	2 ~ 4 kW
Nominal torque	120 Nm	100 ~ 130 Nm
Peak power (20 sec)	4,5 kW	3 ~ 6 kW
Peak torque (20 sec)	160 Nm	130 ~ 180 Nm
Speed	400 rpm at 48 V	150 ~ 700 rpm
Battery-to-wheel system efficiency	up to 92%	up to 92%
Voltage	48 V	36 V ~ 72 V
Wheel rim	min. size 10"	min. size 10" integrated or external rim
Mounting	One side	Two sided
Cooling	Air	
Dimensions	Width 110 mm, diameter 218 mm	
Active motor weight	7 kg	
Total motor weight	10,5 kg	
Standard features	4Q operation, FOC speed and torque control, regenerative braking	
Motor controller	GEM modular type, integrated ®	
Signal interface	CAN	
IP Protection	IP 67	
Temperature range	- 40 ~ 60 °C	
Applications	Bicycle, scooter, motorbike, other 2-wheeler, 3-wheeler and 4 wheeler, agricultural and industrial vehicle	

For more information please contact us at sales@gemmotors.si or call +386 (0)59 023 893.