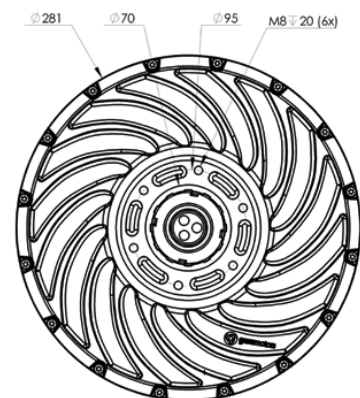
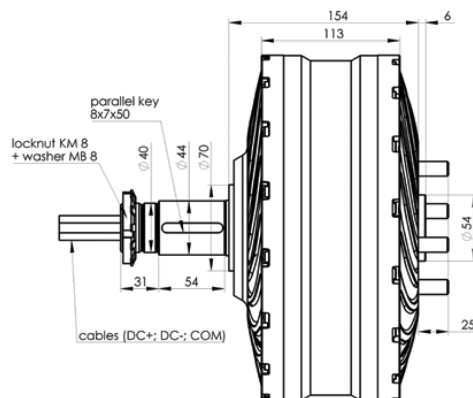


GEM in-wheel drive

Synchronous GEM® in-wheel multiphase electric motor with permanent magnets and integrated controller.

Type G2.6



	Standard	Custom
Nominal power	6 kW	5 ~ 7 kW
Nominal torque	210 Nm	160 ~ 270 Nm
Peak power (20 sec)	8 kW	7 ~ 12 kW
Peak torque (20 sec)	280 Nm	200 ~ 350 Nm
Speed	800 rpm at 48 V	300 ~ 1300 rpm
Battery-to-wheel system efficiency	up to 90%	up to 92%
Voltage	48 V	36 V ~ 72 V
Wheel rim	min. size 13"	min. size 13" integrated or external rim
Mounting	One side	One sided or two sided
Cooling	Air	
Dimensions	Width 160 mm, diameter 281 mm	
Active motor weight	17 kg	
Total motor weight	25 kg	
Standard features	4Q operation, FOC speed and torque control, regenerative braking	
Motor controller	GEM modular type, integrated®	
Signal interface	CAN or analog	
IP Protection	IP 67	
Temperature range	- 40 ~ 60 °C	
Certifications	IEC 60349-4:2012, ISO 10605, IEC 60034-5, ISO 9227-2006, ISO 16750-3, E/ECE Regulation No. 10, IEC 60068-2, MISRA C:2012	
LEV Applications	e-scooter, motorbike, trike and 3-wheeler, micro car, golf cart, commercial vehicle, agriculture and cargo vehicle	

For more information please contact us at sales@gemmotors.si or call +386 (0)59 023 893.